

## SMD Power Inductors - SD54 SERIES



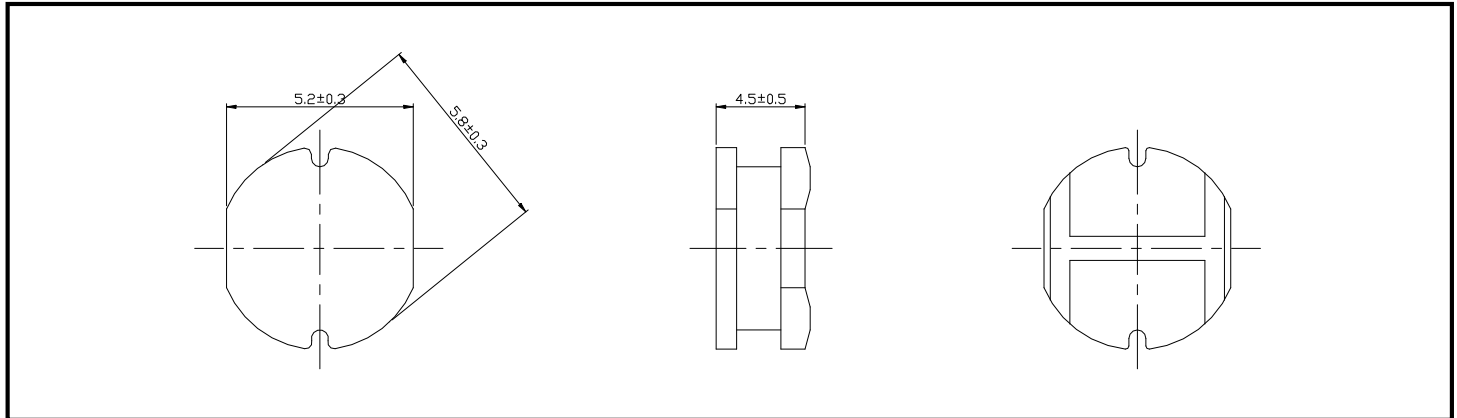
### PART NUMBERING SYSTEM

(AEC-Q200)

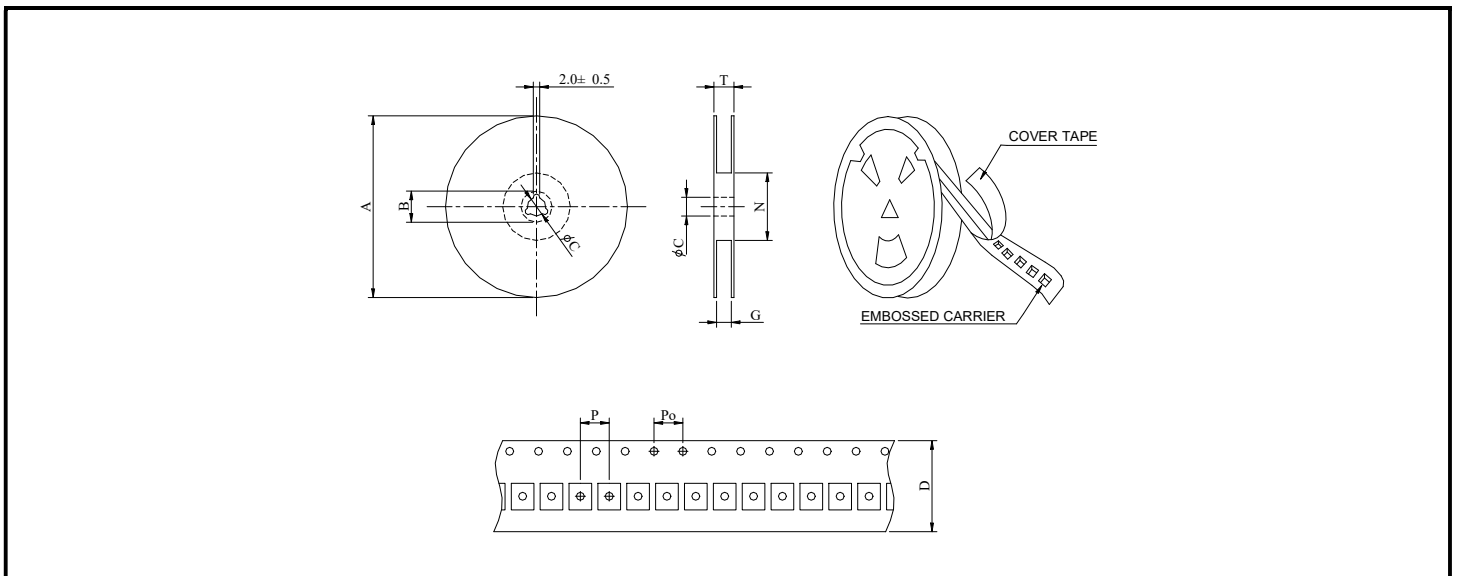
<b>SDR</b>	<b>5 4</b>	—	<b>101K</b>	—	<b>LF</b>
TYPE	DIMENSIONS		INDUCTANCE		LEAD FREE

### SHAPES AND DIMENSIONS

UNIT : mm



### PACKAGING SPECIFICATION



SERIES	STAYLE	Q'TY (PCS)	DIMENSIONS (m/m)								
			A	B±0.8	C±0.5	D	G <sup>+0</sup>	N <sup>0</sup>	P	Po	T
SDR54	13-12	1500	330	21	13	12	14	50	8	4	18.4

## SPECIFICATION TABLE

PART NUMBER	INDUCTANCE ( $\mu$ H)	DCR ( $\Omega$ ) (Max.)	IDC (A) (Max.)	TEST FREQ. (MHz)
SDR54-100M-LF	10 $\pm$ 20%	0.10	1.44	2.52MHz
SDR54-120M-LF	12 $\pm$ 20%	0.12	1.40	2.52MHz
SDR54-150M-LF	15 $\pm$ 20%	0.14	1.30	2.52MHz
SDR54-180M-LF	18 $\pm$ 20%	0.15	1.23	2.52MHz
SDR54-220M-LF	22 $\pm$ 20%	0.18	1.11	2.52MHz
SDR54-270M-LF	27 $\pm$ 20%	0.20	0.97	2.52MHz
SDR54-330L-LF	33 $\pm$ 15%	0.23	0.88	2.52MHz
SDR54-390L-LF	39 $\pm$ 15%	0.32	0.80	2.52MHz
SDR54-470L-LF	47 $\pm$ 15%	0.37	0.72	2.52MHz
SDR54-560K-LF	56 $\pm$ 10%	0.42	0.68	2.52MHz
SDR54-680K-LF	68 $\pm$ 10%	0.46	0.61	2.52MHz
SDR54-820K-LF	82 $\pm$ 10%	0.60	0.58	2.52MHz
SDR54-101K-LF	100 $\pm$ 10%	0.70	0.52	1KHz
SDR54-121K-LF	120 $\pm$ 10%	0.93	0.48	1KHz
SDR54-151K-LF	150 $\pm$ 10%	1.10	0.40	1KHz
SDR54-181K-LF	180 $\pm$ 10%	1.38	0.38	1KHz
SDR54-221K-LF	220 $\pm$ 10%	1.57	0.35	1KHz

- DC current at which the inductance drops 10% (typ) from its value without current.
- Operating temperature range -40 $^{\circ}$ C to +125 $^{\circ}$ C ,
- Electrical specifications at 25 $^{\circ}$ C.
- Packing : 13" reel, machine-ready ,embossed plastic tape (1,500 parts per full reel).